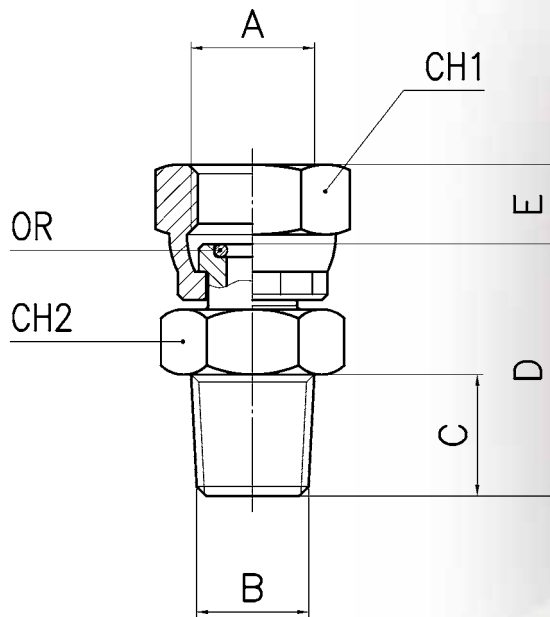



MATERIALS

BODY	11 S MN Pb 30 - UNI EN 10087
NUT	11 S MN Pb 30 - UNI EN 10087
OR	NITRILE

EXAMPLE FOR ORDERING

CODE	TYPE
FT 299	44


DIMENSIONS

TYPE	A		C	D	E	OR	CH1	CH2	WEIGHT KG
	UNI 338	UNI 339							
88	1/8" G	1/8" G C	9	22	7,5	2010	14	12	0,021
44	1/4" G	1/4" G C	13	27	9,5	2018	18	17	0,040
42	1/4" G	1/2" G C	16	31	9,5	2018	18	22	0,068
24	1/2" G	1/4" G C	13	31	11	108	27	22	0,090
22	1/2" G	1/2" G C	16	34	11	108	27	22	0,100

On request with cylindrical B thread



CONNECTORS

The connectors FT 299 allow the connection of a pressure gauge direct to the system or in addition to the gauge isolator push button valves they allow the locking and the orientation of the pressure gauge or the connection of pressure gauges with attack of 1/2" Gas. They consist of a threaded attack bar hold and a locking nut; they are equipped with an orifice for the oil flow passage. A gasket, supplied as current product and inserted in the rotating nut, prevents any blow-by between fitting and pressure gauge. In case the pressure gauge is provided with a taper thread, it is necessary to use copper washers FT 1201 of the present catalogue, to be requested separately. Max. working pressure is 400 bar.

On request

- Version in AISI 316 FT 2299
- Viton seal



FT 299

